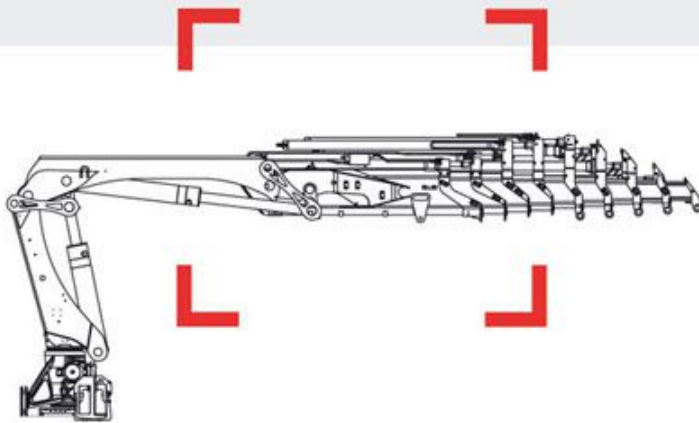
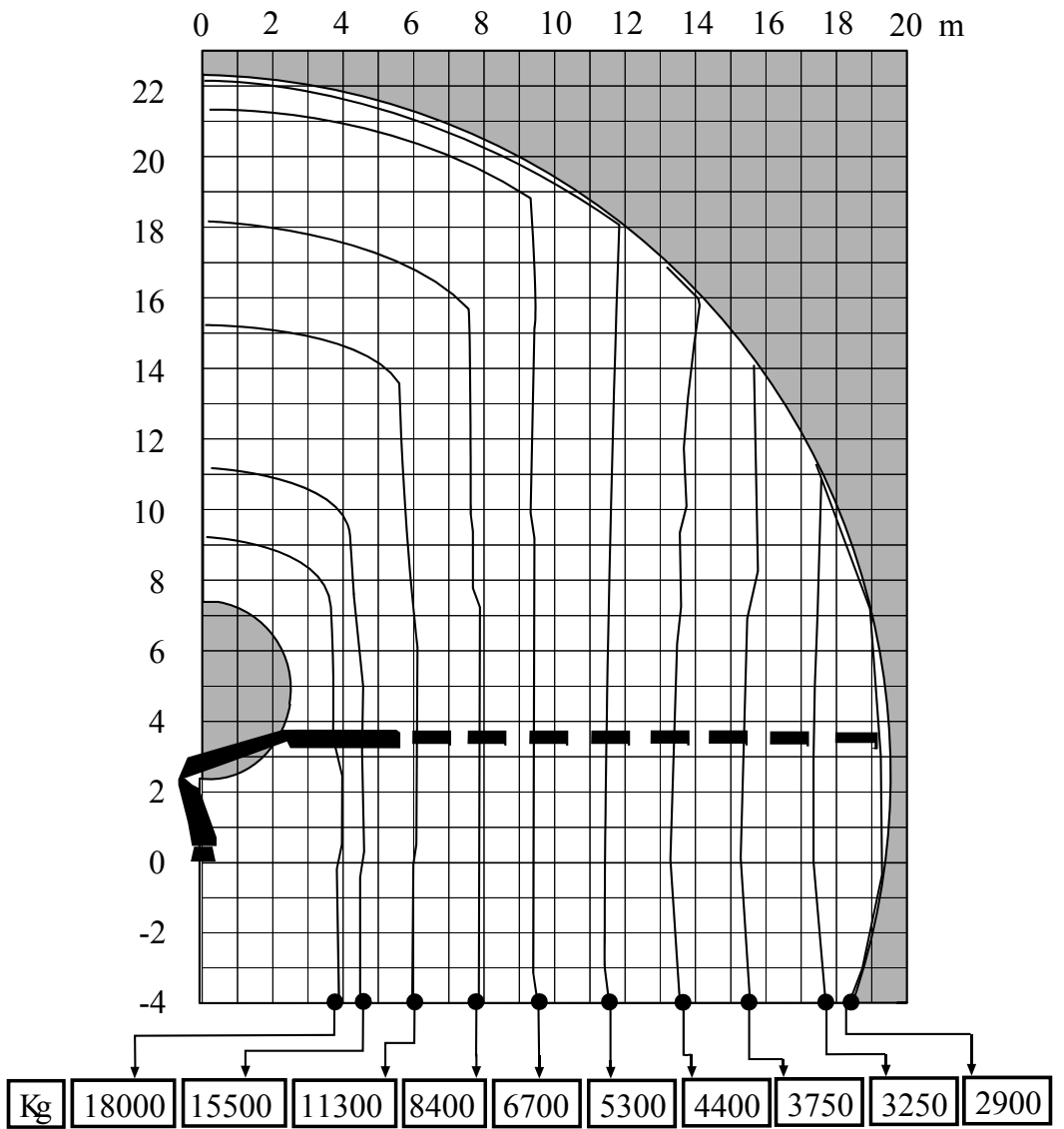


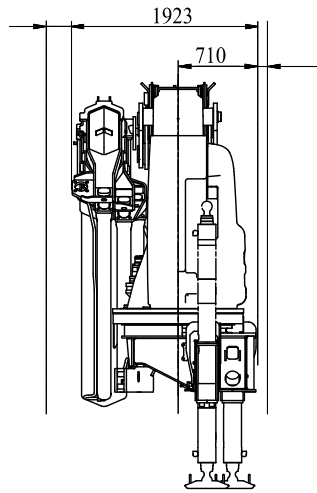
HIAB X-HIPRO 858 E-8



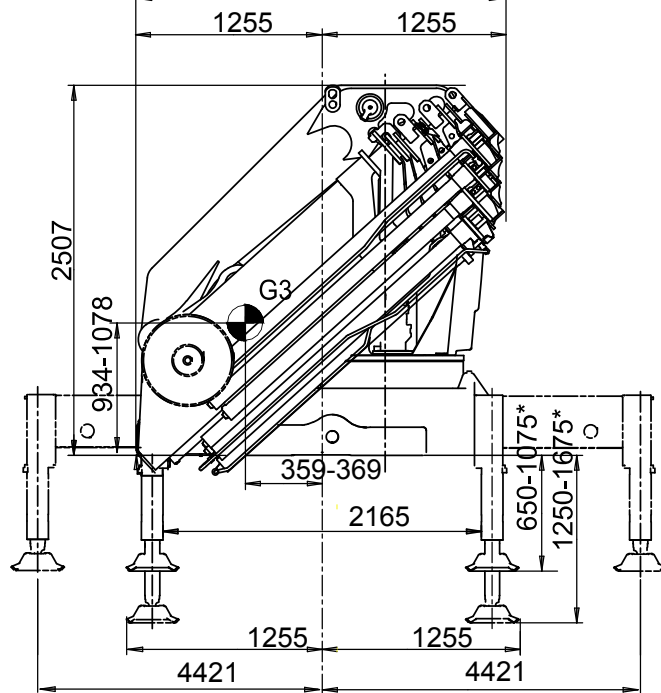
Technical Data



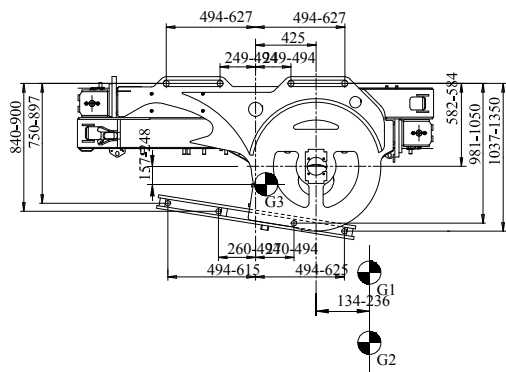
Side view folded



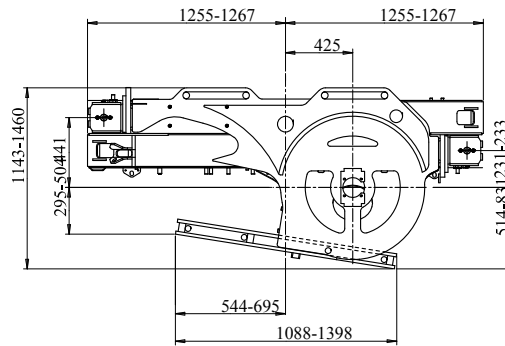
Front view folded
2538



Chassis installation



Top view



Version		
M _{dyn}		912 kNm
Lifting capacity	kNm	648
Lifting capacity	tm	66.1
Lifting capacity (ADC)	kNm	701
Lifting capacity (ADC)	tm	71.5
Outreach - lifting capacity, standard	m-kg	3.8 - 18.000 4.6 - 15.500 6.1 - 11.300 7.8 - 8.500 9.5 - 6.700 11.4 - 5.300 13.4 - 4.400 15.3 - 3.750 17.4 - 3.250 19.4 - 2.900
Outreach - lifting capacity, manual extensions	m-kg	
Hydraulic outreach, standard	m	19.7
Hydraulic boom extension	m	14.9 m
Outreach, manual extensions	m	0.0
Lifting height above installation level, hydr/man	m	22.1 / 0.0
Rec. oil flow	l/min	100 - 120
Power needed at rec. oil flow V80	kW	-
Power needed at rec. oil flow V91	kW	-
Working pressure	Mpa	38.0
Oil in tank	l	200 - 400
Tank capacity	l	0 - 450
Slewing angle	°	continuous
Max slope viable at full capacity	°	5
Slewing torque, gross	kNm	68.0
Slewing speed 80	°/s	8
Slewing speed	°/s	8
Lifting speed at standard hydraulic outreach	m/s	1.1
Height in folded position	mm	2.507
Width in folded position	mm	2.538
Install space required. Rotation area not included	mm	1.923
Install space required with hose and pipe kit	mm	1.923
Weight		
Crane in standard version without support legs	kg	7.458
Top seat	kg	0
Frame attachments	kg	66 - 265
Support leg equipment	kg	1.200 - 1.394
Data sheet		